

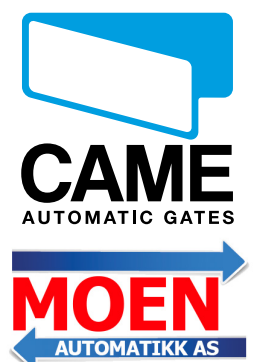
**Motor for
skyveport opp
til 2200 kg**



Bk

**Total automation
flexibility for multi-user
access ways**

Bk is the ideal solution when automating apartment blocks and industrial facility access ways. Its complete range features nine versions designed to meet the gate's duty and weight requirements.



Bk 230-400V 3-phase

Functionality,
innovation,
versatility and
safety

Bk provides the complete solution when gate automation is required in apartment blocks, industrial and collective access ways in general. The product range includes a good 9 versions to meet all and any applicative requirements. This includes a 3-phase powered model for industrial facilities. Bk stands for cutting-edge technology when it comes to duty and safety, as required by Came standards.



Exclusively practical.

BK-1200P features the PRATICO SYSTEM, an extremely user-friendly Came patented device which replaces the laborious, manual release procedures required during a power outage, and does away with the hassle of searching for the keys.



Encoder technology.

A safe, constant, electronically controlled movement, providing maximum assurance and safety for those using the gate.



A safe system.

In all of the versions, the control board is built-into the unit (except for BK-2200T version) and is protected from environmental agents.

Designed to withstand anything

Total auto-control.

Prior to opening or closing the gate, the built-in electronics tests the proper functioning of all the safety devices hooked up to the system.

Easier and safer operations.

Bk can be connected to and control any auxiliary lighting, which turns on each time the gate opens, making it easier and safer to drive in and out.



Safety and careful attention to detail.

The integrated mounting and adjustment system for the gearmotor is located inside the operator. This makes it even safer when floor mounting the unit.

Designed to last.

Carefully chosen materials give Bk sturdiness and lasting power, to withstand heavy-duty use.



The 230V electronics

Besides the normal command and safety functions, the electronics found in the 230V Bk series provides certain features that enables total control and optimal duty performance to be obtained. Here are some examples:

- > **Safe and simplified access**
with the option of connecting and controlling the auxiliary lighting for the access area.
- > **Partial opening**
to favour pedestrian access, without having to open the gate entirely.
- > **System's active safety-devices test**
performed prior to each gate opening and closing.

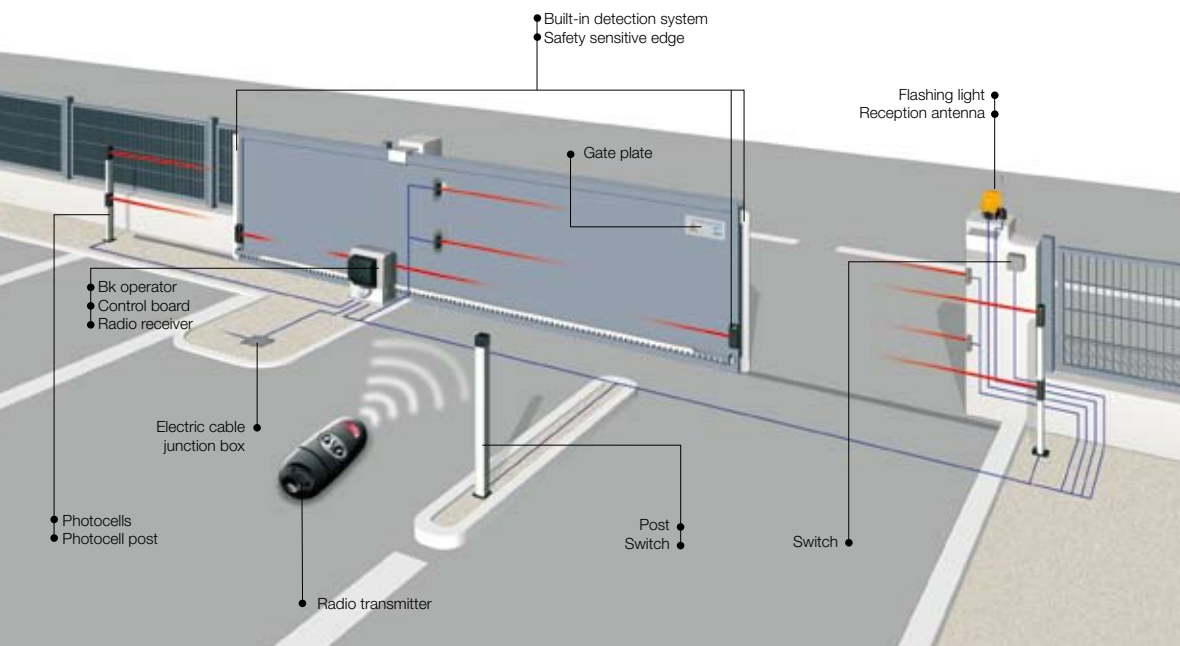
Advantages of the 3-phase Bk

When total power, performance and reliability are needed, the Bk 3-phase technology enables the operator to reach its full potential, meaning:

- > **Increased thrust when in operation**
The 230-400V 3-phase electronics provides additional dynamic thrust during the initial stage of the opening/closing phases, thus addressing any issues concerning the weight of the gate.
- > **Frequent accesses**
The 3-phase operator ensures functioning even under the most severe conditions of use, such as in industrial facilities.
- > **Inertia control**
The weight of large gates used at industrial facilities is often an issue. The considerable mass of the gate generates passive inertia at the end of the opening/closing phases. BK-2200T, featuring the new ZT6 control panel, can control the effects of passive inertia, making access safer.



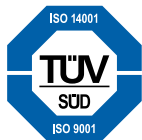
Standard installation



In the event a careful analysis of the automated gate's risks were to require it, the use of sensitive safety infrared or contact edges becomes indispensable.



Made in Italy



For its quality processes management Came Cancelli Automatici is ISO 9001:2000 certified, and for its environmental management it is ISO 14001 certified. Came designs and manufactures entirely in Italy.

The range

Complete automation systems with 230V A.C. motor

- BK-800** Automation system complete with control board, radio decoder and mechanical endstops for sliding gates of up to 800 Kg / 1,760 lb.
- BK-1200** Automation system complete with control board, radio decoder and mechanical endstops for sliding gates of up to 1,200 Kg / 2,640 lb.
- BK-1200P** Automation system complete with control board, built-in radio decoder, mechanical endstops and PRATICO SYSTEM radio release with a 12V - 1.2 AH battery for gates weighing up to 1,200 Kg / 2,640 lb. (notes)
- BK-1800** Automation system complete with control board, radio decoder and mechanical endstops for sliding gates of up to 1,800 Kg / 3,970 lb.
- BK-2200** Automation system complete with control board, radio decoder and mechanical endstops for sliding gates of up to 2,200 Kg / 4,850 lb with module 6 pinion.
- BKE-1200** Automation system complete with control board, radio decoder, encoder-based movement control for sliding gates of up to 1,200 Kg / 2,640 lb and 13 m / 42.65 ft.
- BKE-1800** Automation system complete with control board, radio decoder, encoder-based movement control for sliding gates of up to 1,800 Kg / 3,970 lb and 13 m / 42.65 ft.
- BKE-2200** Automation system complete with control board, radio decoder, encoder-based movement control for sliding gates of up to 2,200 Kg / 4,850 lb and 13 m / 42.65 ft with module 6 pinion.



Automation system with 230-400V A.C. 3-phase

- BK-2200T** Operator with module 6 pinion.



Control panels for 230-400V A.C. 3-phase operator

- ZT6** Control panel with built-in radio decoder and self-diagnosing safety devices.
- ZT6C** Control panel, complete with safety block and buttons, including a built-in radio decoder and self-diagnosing safety devices.



Accessories

- RO01** Lock cylinder with DIN key.
- B4353** Chain transmission device.
- CCT** 1/2" in simple chain for B4353.
- CGIU** Joint for 1/2" in chain.
- CGZ** Galvanized rack in rolled steel 22 x 22 mm 0.86 x 0.86 in module 4.
- CGZS** Galvanized rack in rolled steel 30 x 8 mm 1.18 x 0.31 in module 4 with securing holes and spacers.
- CGZ6** Galvanized rack in rolled steel 30 x 30 mm 1.18 x 1.18 in module 6.

Technical features

Type	BK-800	BK-1200/E	BK-1200P	BK-1800/E	BK-2200/E	BK-2200T
Protection rating	IP54	IP54	IP54	IP54	IP54	IP54
Power supply (V) (50/60Hz)	230 A.C.	230 A.C.	230 A.C.	230 A.C.	230 A.C.	230-400V A.C. 3-phase
Motor power supply (V) (50/60Hz)	230 A.C.	230 A.C.	230 A.C.	230 A.C.	230 A.C.	230-400V A.C. 3-phase
Current draw (A)	4,5	3,3	3,3	4,2	5,1	1,5
Power (W)	520	380	380	480	580	600
Manoeuvre speed (m/min - ft/s)	10.5/0.57	10.5/0.57	14.5/0.79	10.5/0.57	10.5/0.57	10.5/0.57
Duty cycle (%)	INTENSIVE USE	50	30	50	50	50
Thrust (N)	800	850	850	1150	1500	1650
Motor's thermo-protection (°C/°F)	150 / 302	150 / 302	150 / 302	150 / 302	150 / 302	150 / 302
Operating temperature (°C/°F)	-20 - +55 / -4 - +131					
120V A.C. - 60 Hz PRODUCTS, PLEASE CHECK OUR PRICE LIST						

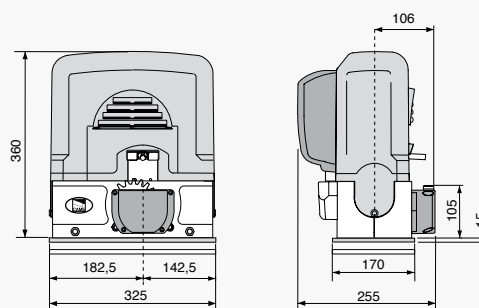
● 230V A.C. ● 230-400V A.C. 3-phase

Limits to use

Model	BK-800	BK-1200	BK-1200P	BK-1800	BK-2200	BK-2200T
Max weight of gate leaf (Kg / lb)	800 / 1,760	1,200 / 2,640	1,200 / 2,640	1,800 / 3,970	2,200 / 4,850	2,200 / 4,850
Max length of gate leaf (m / ft)	20 / 65.61	20 / 65.61	20 / 65.61	20 / 65.61	20 / 65.61	20 / 65.61
Model	BK-1200E		BK-1800E		BK-2200E	
Max weight of gate leaf (Kg / lb)	1,200 / 2,640		1,800 / 3,970		2,200 / 4,850	
Max length of gate leaf (m / ft)	13 / 42.65		13 / 42.65		13 / 42.65	

● 230V A.C. ● 230-400V A.C. 3-phase

Dimensions



© Came KDEP#CEN03A3S10408 - 4/09

Came
cancelli automatici
S.p.A.

via Martiri della Libertà, 15
31030 Dosson di Casier
Treviso - ITALY
www.came.com - info@came.it

Leverandør
Moen Automatik AS

Verkseier Furulundsv 49
0668 Oslo
Tlf: 22 29 16 00
www.k-moen.no

The data and information shown in this catalogue are subject to change without the obligation to give prior notice by Came cancelli automatici S.p.A.

PRODUCTS

