

## DOOR COORDINATORS

### JC-25/JC-35 (Surface mounted installation)



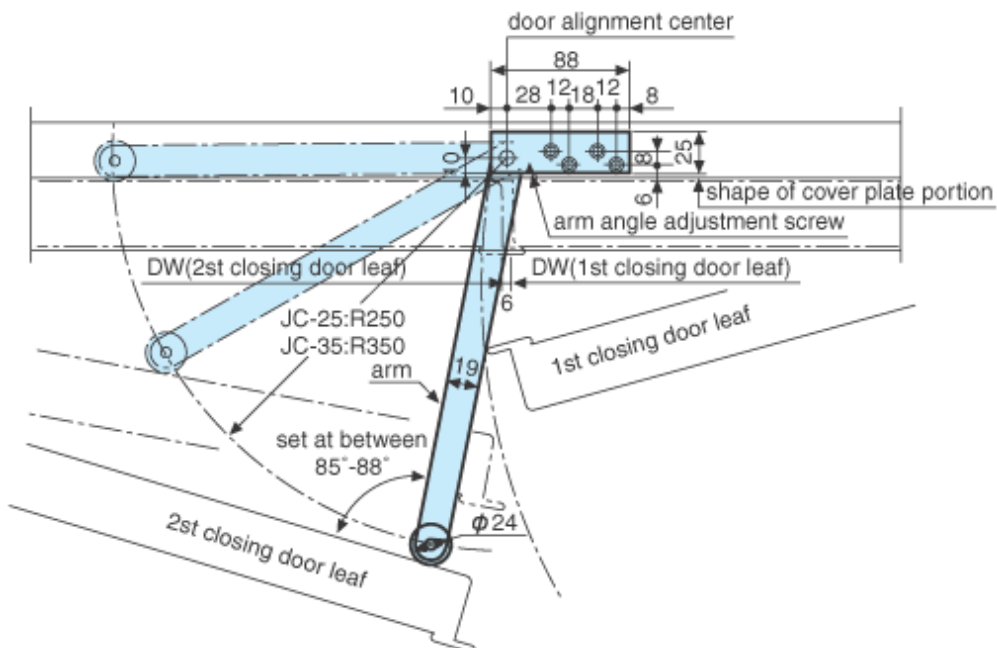
#### Applicable door size

Model No.	Door width (1st closing door)		Door width (2nd closing door)	
	Offset-hung	Center-hung	Offset-hung	Center-hung
JC-25	≤1000	≤1000	≤1000	≤1000
JC-35	1000 2000	1000 3000	1000 2000	1000 3000

#### Applicable door size for air-tight door

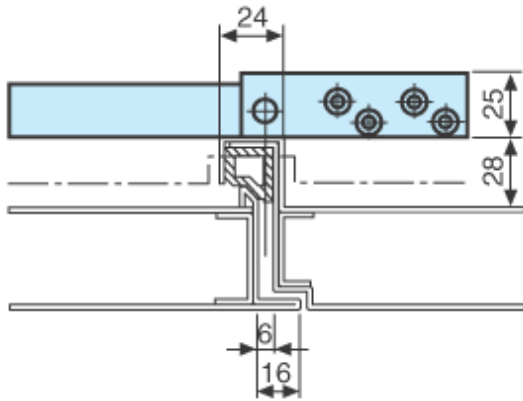
Model No.	Door width (1st closing door)		Door width (2nd closing door)	
	Offset-hung	Center-hung	Offset-hung	Center-hung
JC-25	≤500	≤1000	≤1000	≤1000
JC-35	500 1000	1000 1500	1000 2000	1000 3000

#### Installation top view

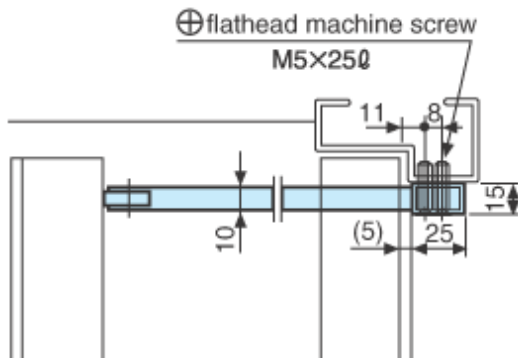


**Note**

Door width of 1st closing door leaf must be less than 500mm in case JC series door coordinatoy is used for airtight door due to the shape of cover plate portion as shown on the following illustration.



**Installation side view**



**JC-25C/JC-35C(CONCEALED INSTALLATION)**

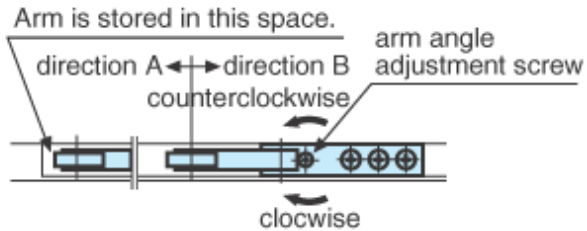
**Applicable door size**

Model No.	Door width (1st closing door)		Door width (2nd closing door)	
	Offset-hung	Center-hung	Offset-hung	Center-hung
JC-25	≤ 1000	≤ 1000	≤ 1000	≤ 1000
JC-35	1000 1500	1000 1500	1000 1500	1000 2000

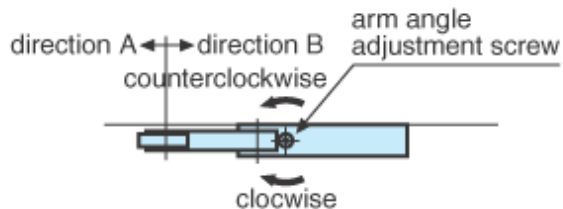
**Adjustment of arm angle**

Adjust arm angle between 85°-88° against 2nd closing door leaf when 2nd closing door begins to close. Turn arm angle adjusting screw clockwise to move arm toward direction A, and turn counter-clockwise to move arm toward direction B.

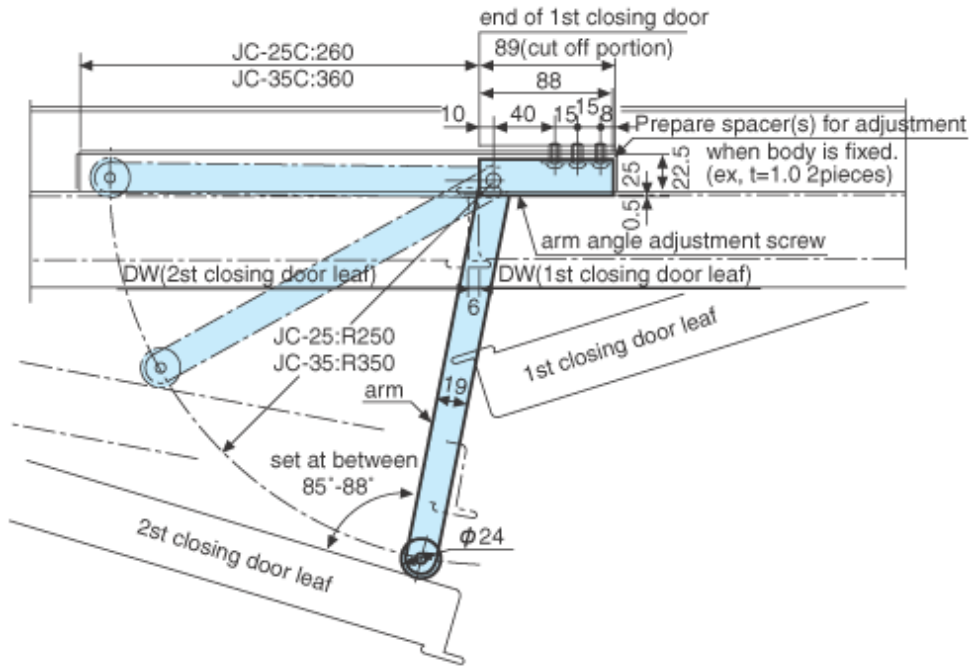
**•JC-25/JC-35  
(Surface mounted)**



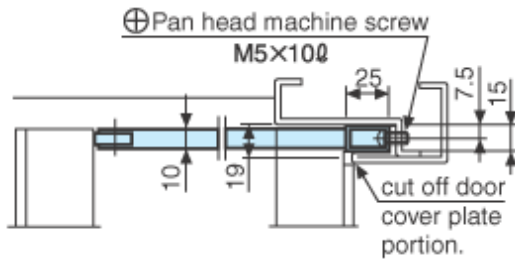
**•JC-25C/JC-35C  
(Concealed)**



**Installation top view**



**Installation side view(ex.1)**



**Installation side view(ex.2)**

